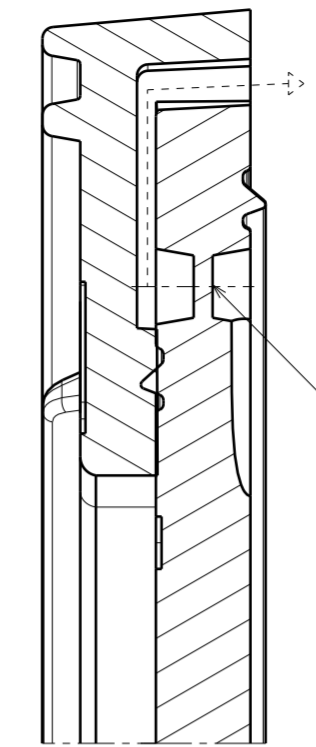
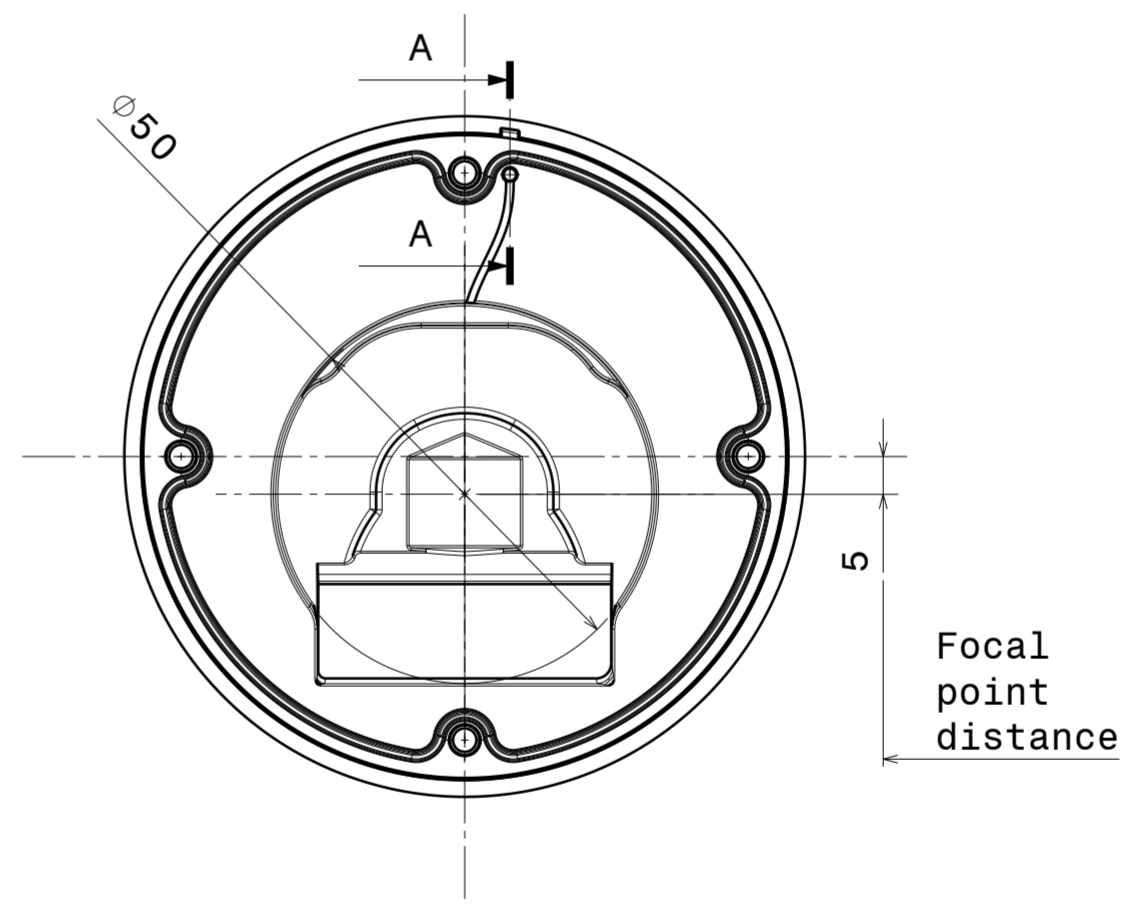
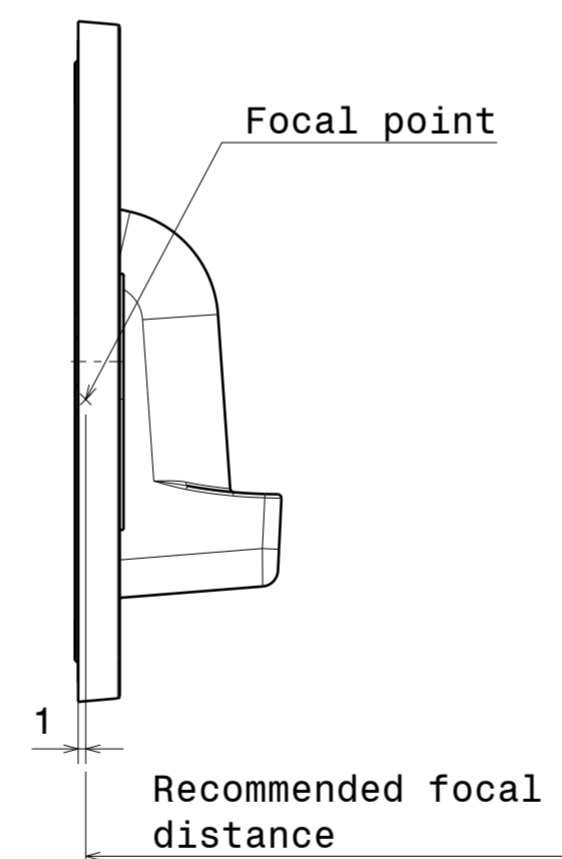
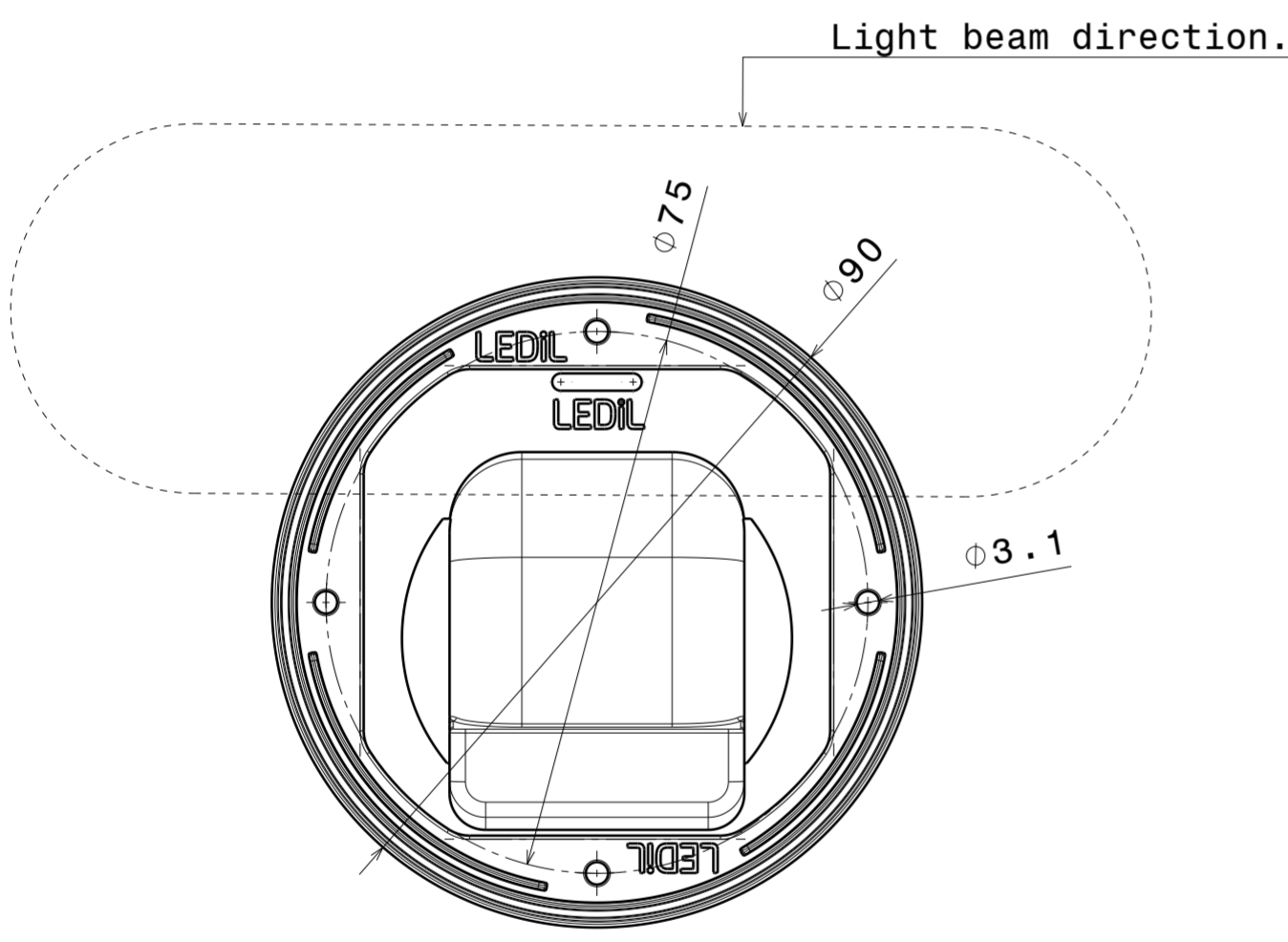


Isometric view
Scale: 1:1



Venting pipe:
Piercing this membrane
will Allow lens breathing

Section view A-A
Scale: 5:1



NOTE: Maximum recommended tightening torque for STELLA-FRAME is 0,4Nm

INDEX	PART NO	DESCRIPTION	MATERIAL	COLOUR
1	F14514	STELLA-T4	Optical grade LSR	
2	C13322	STELLA-FRAME	PA	black

Tolerances if not otherwise shown
According to DIN ISO 2768-1
Linear measures: class V
Please note that due to the elasticity of
products made of silicone actual measured
values may vary, and therefore typical
tolerance values may not be applied.

THIRD ANGLE PROJECTION:

This drawing is the property
of LEDiL Oy. It may not be
reproduced, copied or
communicated without a written
agreement with LEDiL Oy.

LEDiL LediL Oy
Salorankatu 10
FIN 24240 SALO
Finland

DRAWING TITLE
STELLA-T4 datasheet

SIZE	PART NUMBER				
A2	FN14645				
SCALE	1:1	WEIGHT	-	SHEET	1/1